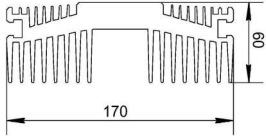
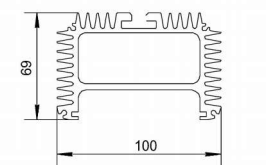
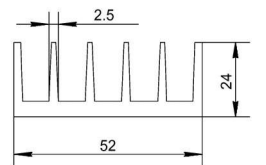
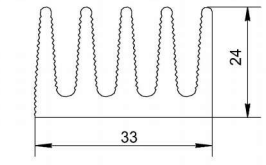
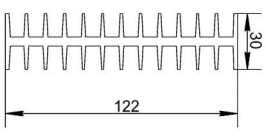
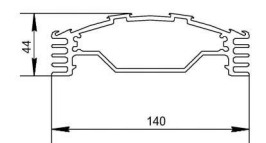
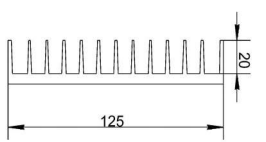
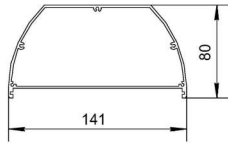
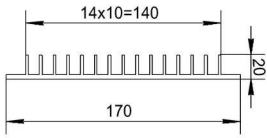
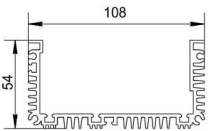


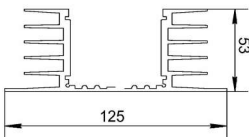
АЛЮМИНИЕВЫЕ ОХЛАДИТЕЛИ

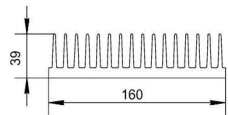
№ п/п	Фото	Артикул	Масса, 1 п.м. кг	Площадь сечения, см ²	Периметр, мм
1		3330	12.210	45.056	1791.1
2		3317	4.681	17.274	837.6 - 1043
3		3350	1.317	4.86	336
4		3300	1.222	4.51	287.7
5		3322	3.337	12.313	874.2
6		3354	3.459	12.765	588 - 867
7		3310	3.379	12.47	766.9
8		3361	2.304	8.503	423.6 - 839

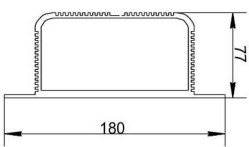


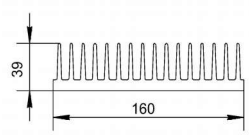
9		3302	3.139	11.584	821.6
----------	---	------	-------	--------	-------

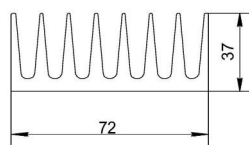
10		3388	2.349	8.666	836.5
-----------	---	------	-------	-------	-------

11		3370	3.162	11.669	905
-----------	---	------	-------	--------	-----

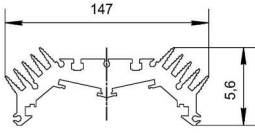
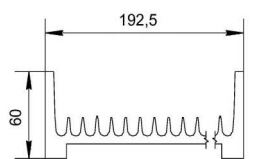
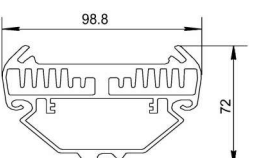
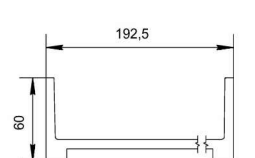
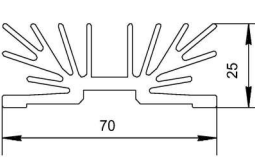
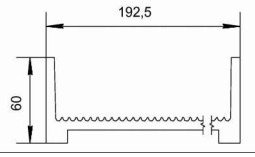
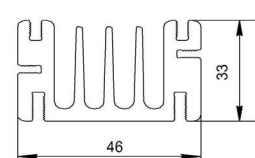
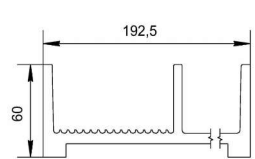
12		3319	8.249	30.44	1524.4
-----------	--	------	-------	-------	--------

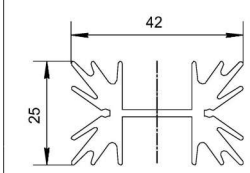
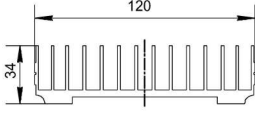
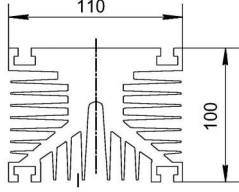
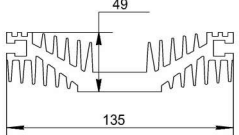
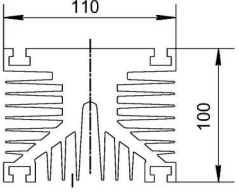
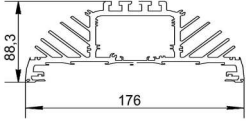
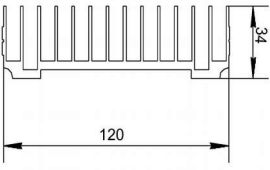
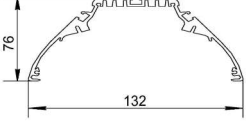
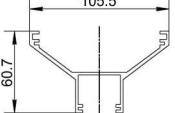
13		3345	5.518	20.363	756.1 - 1117.5
-----------	---	------	-------	--------	----------------

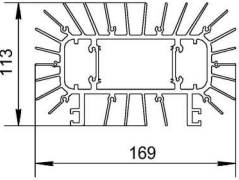
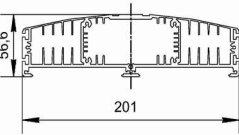
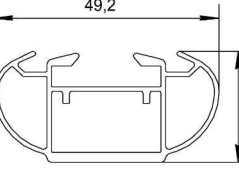
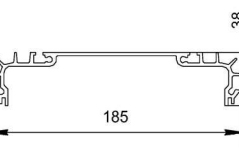
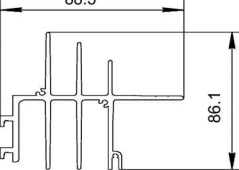
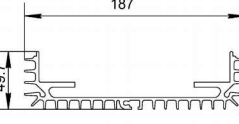
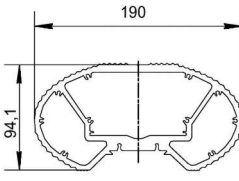
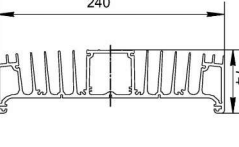
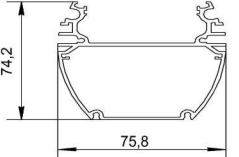
14		3329	7.761	28.64	1240.1
-----------	---	------	-------	-------	--------

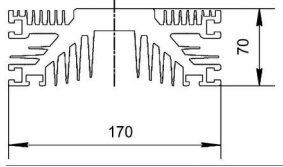
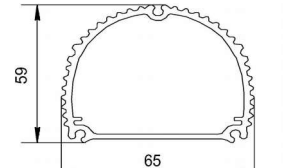
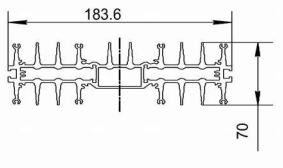
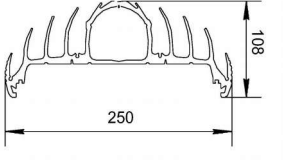
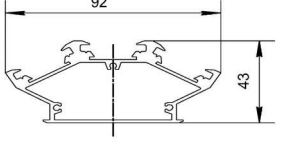
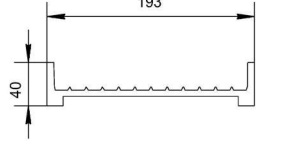
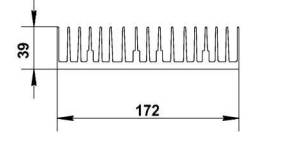
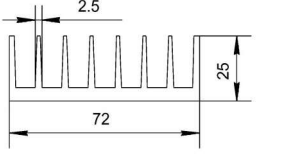
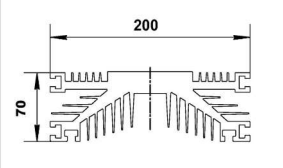
15		3306	3.276	12.09	607.2
-----------	---	------	-------	-------	-------

16		3386	1.412	5.211	452.5
-----------	---	------	-------	-------	-------

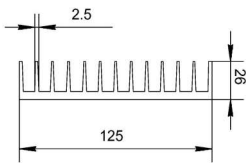
17		3333	7.154	26.4	457.1
18		3352	6.88		
19		3325	9.66	35.65	608.1 - 1083
20		3318	5.67		
21		3376	1.691	6.24	526.16
22		3321	6.06	22.36	708
23		3338	2.096	7.74	462.8
24		3380	6.504	24	738

25		3397	0.409	1.51	192.38
26		3341	6.88		
27		3301	0.97	3.578	357.8
28		3366	7.428	27.41	1184
29		3378	14.94	55	185.4
30		3356	8.156	30.1	1413.6
31		3347	2.976	10.98	1008
32		3384	2.513	9.273	663.2
33		3328	6.555	24.19	1110.9

34		3307	9.406	34.71	2005
35		3343	5.642	20.82	679.5
36		3362	0.67	2.47	189.7
37		3311	2.229	8.224	677
38		3382	2.400	8.86	762
39		3349	3.821	14.01	997
40		3364	9.859	36.38	570
41		3387	34.35	9.309	1793
42		3315	6.259	1.696	466.4

43		3355	52.02	14.10	1908
44		3312	5.30	1.436	280
45		3399	7.970	29.41	1908
46		3367	10.67	39.4	1480
47		3369	1.613	5.95	355
48		3326	4.75	17.52	566
49		3305	6.884	25.4	1421
50		3320	1.96	7.29	452
51		3358	16.32	60.2	-

52



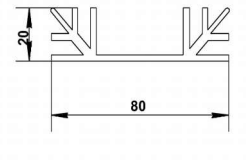
3327

1.96

7.29

452

53



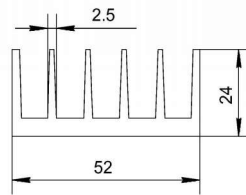
3390

1.199

4.425

406.7

54



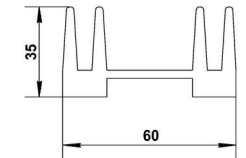
3308

1.31

4.86

336

55



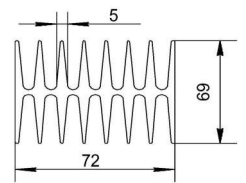
3371

2.23

8.25

340

56



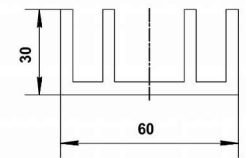
3396

5.252

19.83

1089

57



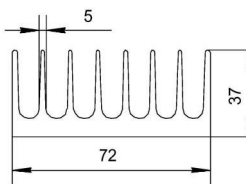
3313

1.897

7.0

330

58



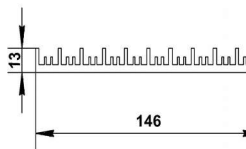
3368

3.33

12.3

596

59



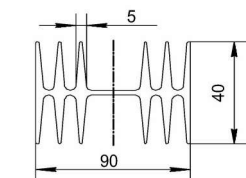
3337

2.143

7.91

768

60

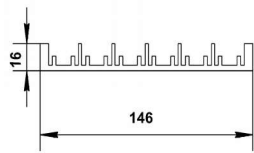


3324

2.96

10.92

550

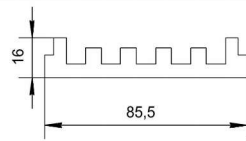
61

3389

2.602

9.6

648

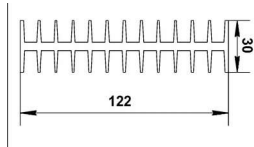
62

3360

1.79

6.6

342

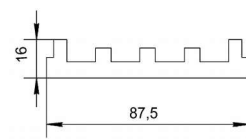
63

3377

3.32

123

874

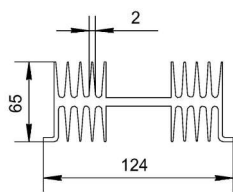
64

3346

1.88

6.94

265.4

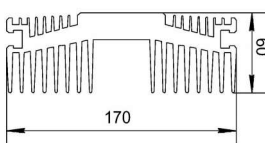
65

3314

4.32

15.94

1388

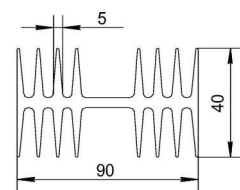
66

3381

12.162

44.88

1785.9

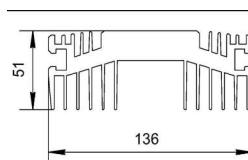
67

3351

3.564

13.15

666

68

3359

7.617

28.108

1171.9

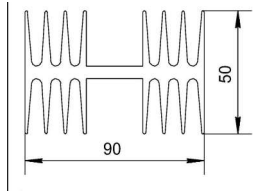
69

3385

3.65

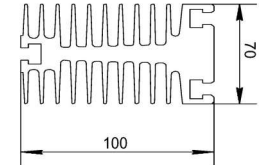
13.46

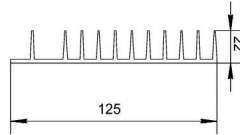
839



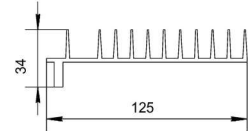
70		3323	12.21	45.05	1791
----	---	------	-------	-------	------

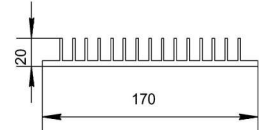
71		3391	1.57	5.795	858
----	---	------	------	-------	-----

72		3316	8.594	31.714	-
----	---	------	-------	--------	---

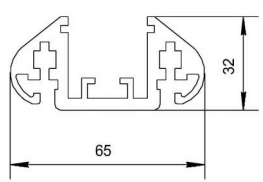
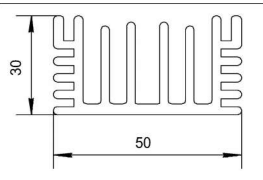
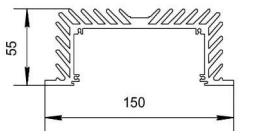
73		3392	1.631	6.02	-
----	---	------	-------	------	---

74		3363	13.7	50.5	-
----	---	------	------	------	---

75		3340	1.794	6.62	-
----	---	------	-------	------	---

76		3395	3.14	11.58	821.6
----	---	------	------	-------	-------

77		3331	6.613	24.4	1592
----	---	------	-------	------	------

78		3309	1.927	7.111	411.8
79		3394	1.7	6.3	496
80		3303	4.19	15.46	1051

© 2010-2015 АЛЮМИКО Все права защищены

This document was created with Win2PDF available at <http://www.win2pdf.com>.
The unregistered version of Win2PDF is for evaluation or non-commercial use only.
This page will not be added after purchasing Win2PDF.